

CPETH04 interface card

CompactPCI 10 M/100 M Ethernet interface card (2 ports)



■ Outline

- * 133 Mbps CompactPCI bus
- * IEEE802.3 10BASE-T/100BASE-TX Specification standard
- * REACH / RoHS compliant

ITEM	SPECIFICATION
Controller	MICROSEMI M2GL025-VFG400
Communication rate standard	10 Mbps/10BASE-T or 100 Mbps/100BASE-TX
Internal buffer data	4 KB / send data 4 KB / receive data
Serial EEPROM	1 kbit (64 × 16) MAC address, For initial setting information
External interface	RJ45 connector × 2
PCI interrupt	Interrupt input × 2
User interface	LED (Communication information) × 2 (Each port) •Link •Control
Bus standard	CompactPCI bus R2.1 compliant PICMG2.0 R2.1 PICMG2.1 R1.0 (Hot Swap) IEEE802.3
Environmental conditions	(Operating) Temperature: 0 to 60°C Humidity: 20 to 85% RH (Storage) Temperature: -10 to 70°C Humidity: Less than 90% RH (No condensation)
Power supply	DC 5V ±5% / 0.12 A typ.
Dimensions	215 mm (D) × 130 mm (H) × 20 mm (W) (3U × 1 Slot)
Compliance standard / Compliance directive	REACH / RoHS

Caution:

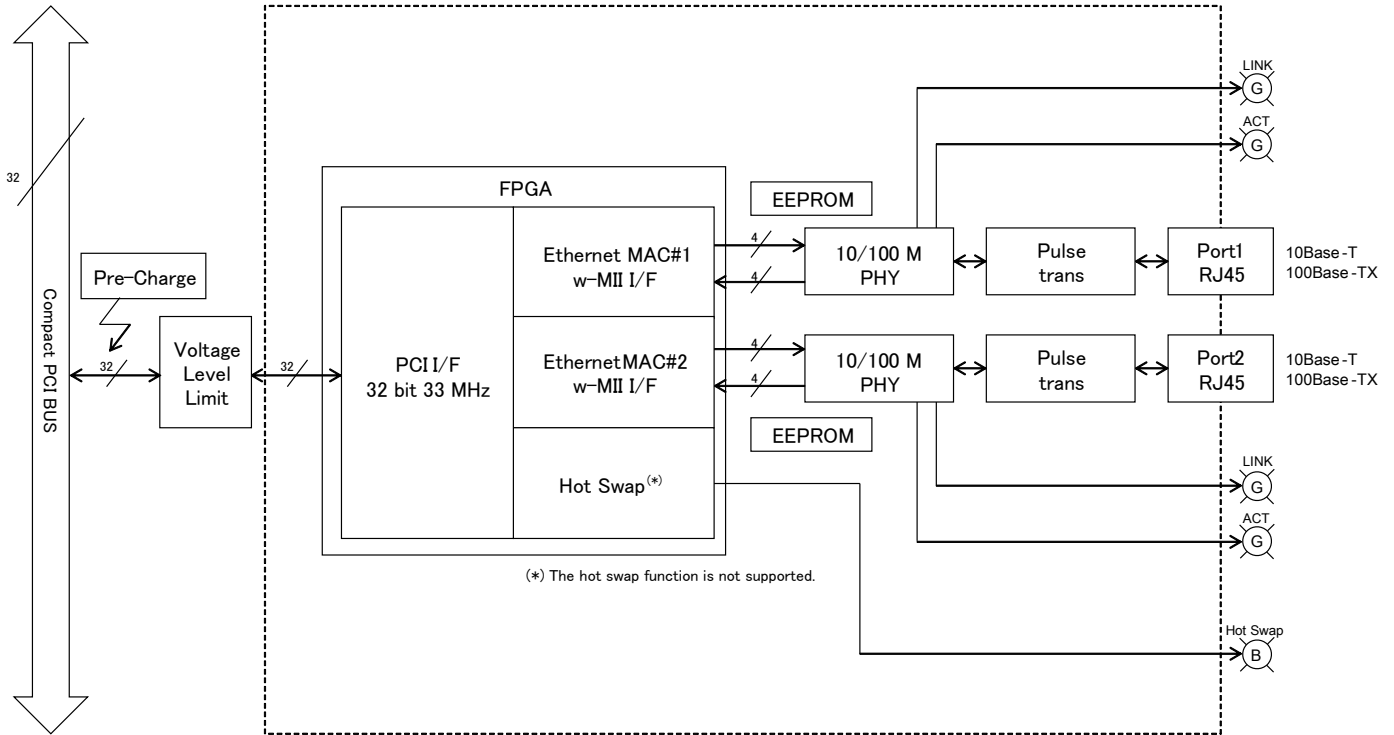
In case of expanding the Ethernet card, do not mix this card with the card of different model in a CPU system.

(For example, it is possible to configure A-CPU with 2 pieces of CPETH04 and B-CPU with 2 pieces of CPETH02).

CPETH04 interface card

CompactPCI 10 M/100 M Ethernet interface card (2 ports)

CPETH04 block diagram



When using, please read the instruction manual attached to the product carefully and use it properly.

This catalog may not be distributed or reproduced in whole or in part without permission.

Please be aware that due to product improvements and modifications, the product description in this catalog may differ in certain respects from the actual product.

DIASYS Netmation/DIASYS Netmation4S is a registered trademark of Mitsubishi Heavy Industries, Ltd.

The service names and product names of other companies described in this catalog are the trademarks or registered trademarks of each company.