

FXADP02 Adaptor module

FLEX I/O™ Duplicated adaptor for FXCPU03



■ Outline

- * FLEX I/O™ bus duplicated interface
- * Use and combine with FXCPU03
- * Maximum connectable 40 FLEX I/O™ modules
- * FLEX I/O™ bus interface × 1
- * FLEX I/O™ extension bus interface × 3
- * LED status indication

*ControlNet™ is ControlNet International's registered trademark.
*FLEX I/O™ is Rockwell Automation's registered trademark.

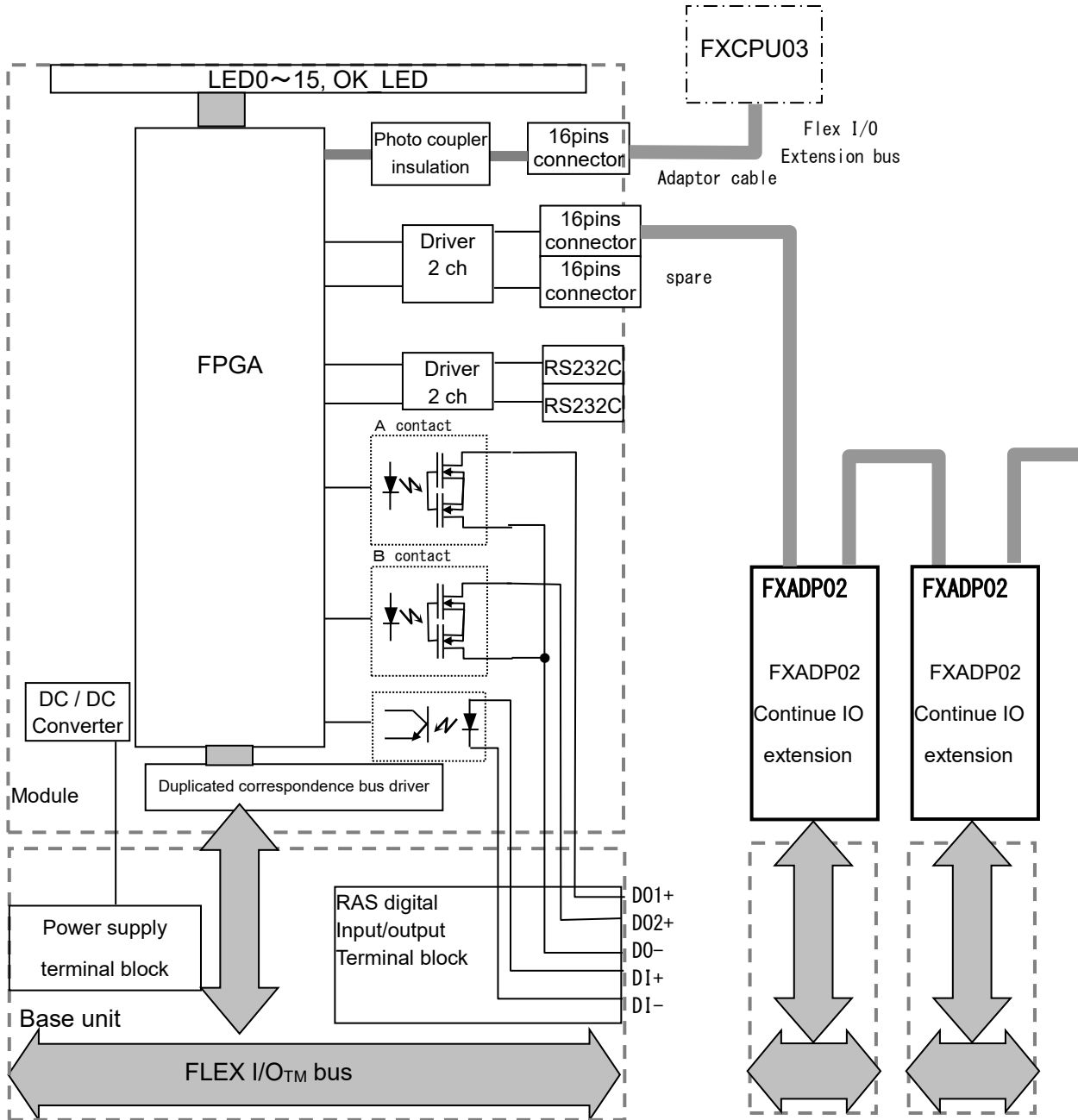
ITEM	SPECIFICATION
Number of available I/O modules	FLEX I/O™ maximum 8 modules
Functions	FLEX I/O™ input/output FXCPU03 duplicated correspondences
Interface	FLEX I/O™ bus I/F × 1 FLEX I/O™ extension bus I/F × 3 (RS232C I/F × 2: for maintenance)
	RAS digital input × 1 Photo coupler insulation Input rated voltage/current: DC 48 V / 5.6 mA
	RAS digital output × 1a contact PhotoMOS relay Output rated voltage/current: DC 48 V / 120 mA
	RAS Digital output × 1b contact PhotoMOS relay Output rated voltage/current: DC 48 V / 120 mA
Self-diagnostic function	Adaptor cable monitoring
Indicator	Status LED(OK_LED) - Green (Control) - Yellow (Standby) - Bad connection with CPU (Red/Red flashing) - Adaptor power supply break-down or CPU has serious problems (Off) I/O Module normal: LED8 to 15 DC 24 V power supply normal: LED0 (Adaptor) DC 5 V power supply normal: LED1 (FXCPU01A) DC 5 V power supply normal: LED2
FLEX I/O™ power supply	Maximum DC 5 V / 640 mA
Environmental conditions	(Operating) Temperature: 0 to 55°C Humidity: 5 to 95% RH (No condensation) (Storage) Temperature: -40 to 85°C Humidity: 5 to 95% RH (No condensation)
Power supply	DC 24 ±10% / typ. 0.6 A
Shock/Vibration	15 G / 2 G @ 10 to 500 Hz
Dimensions	Modules 75 mm (D) × 46 mm (H) × 94 mm (W) Base units 49 mm (D) × 94 mm (H) × 94 mm (W)

FXADP02 Adaptor module

FLEX I/O™ Duplicated adaptor for FXCPU03

*ControlNet™ is ControlNet International's registered trademark.
*FLEX I/O™ is Rockwell Automation's registered trademark.

FXADP02 block diagram

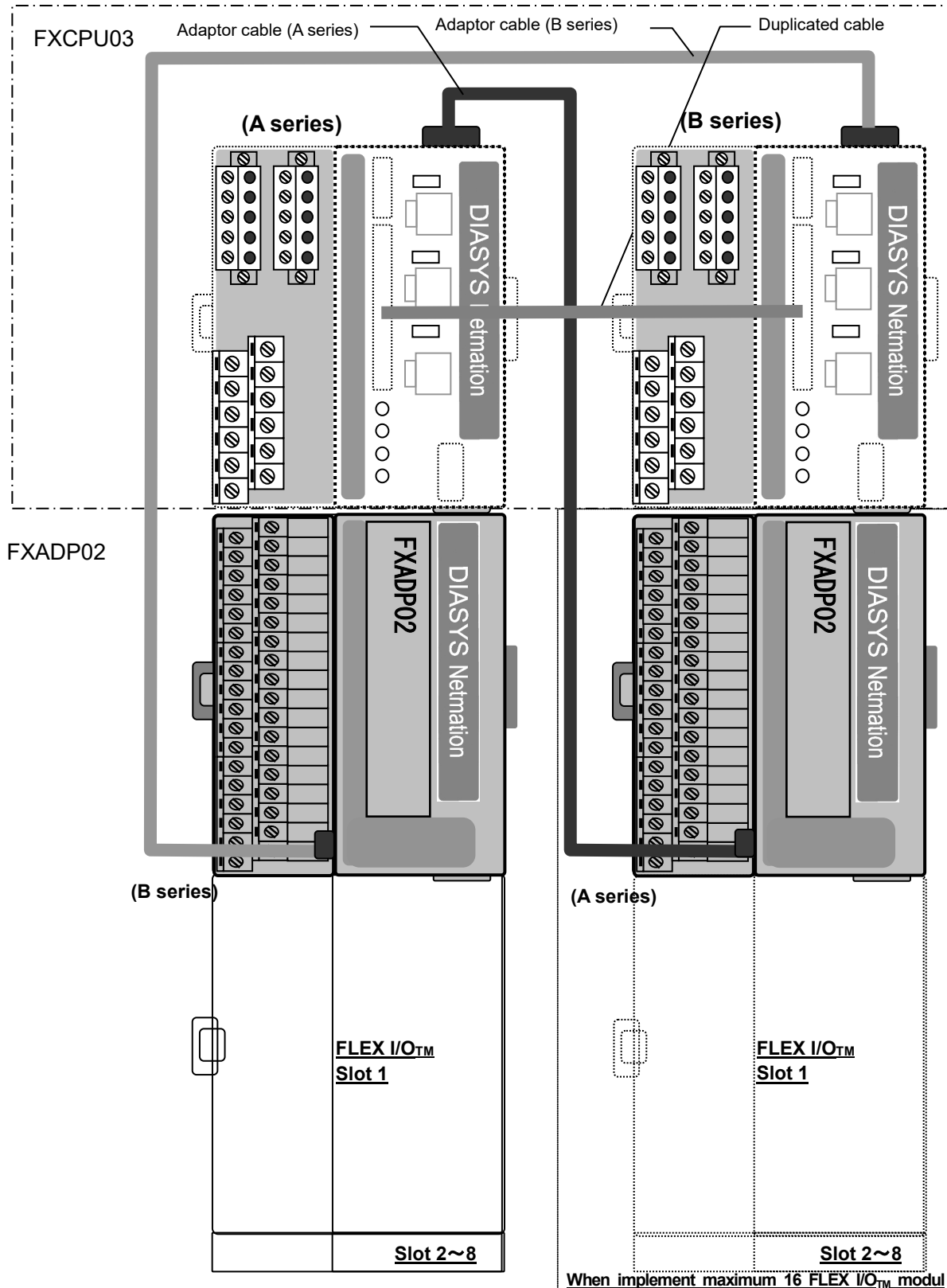


FXADP02 Adaptor module

FLEX I/O™ Duplicated adaptor for FXCPU03

*ControlNet™ is ControlNet International's registered trademark.
*FLEX I/O™ is Rockwell Automation's registered trademark.

FXCPU03 + FXADP02 CPU duplicated system structure

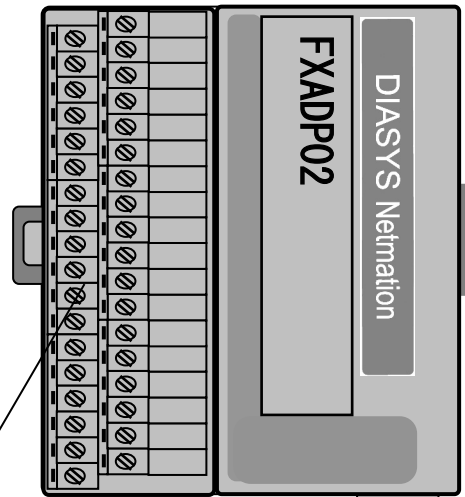


FXADP02 Adaptor module

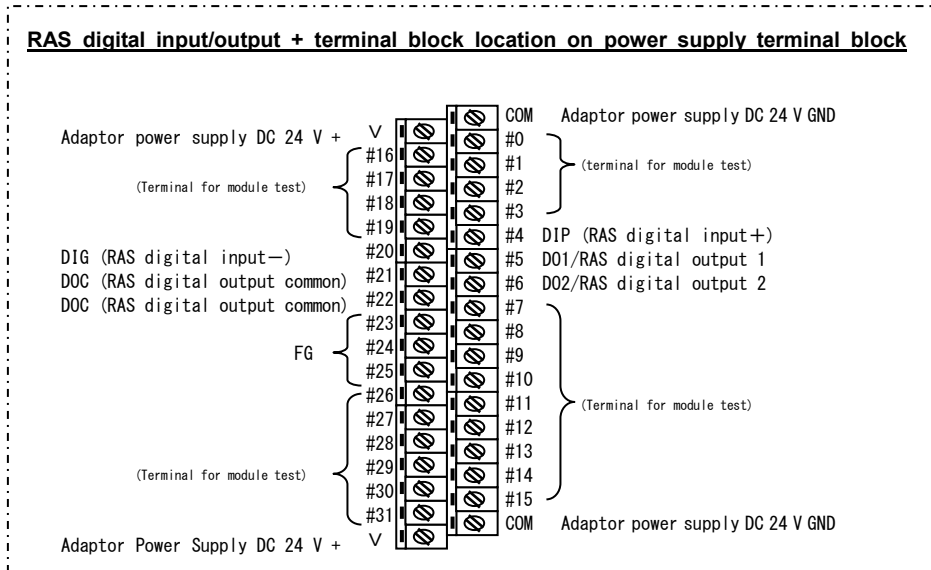
FLEX I/O™ Duplicated adaptor for FXCPU03

*ControlNet™ is ControlNet International's registered trademark.
*FLEX I/O™ is Rockwell Automation's registered trademark.

FXADP02 base unit terminal block layout



RAS digital input/output + power supply terminal block



When using, please read the instruction manual attached to the product carefully and use it properly.
This catalog may not be distributed or reproduced in whole or in part without permission.

Please be aware that due to product improvements and modifications, the product description in this catalog may differ in certain respects from the actual product.

DIASYS Netmation/DIASYS Netmation4S is a registered trademark of Mitsubishi Heavy Industries, Ltd.

The service names and product names of other companies described in this catalog are the trademarks or registered trademarks of each company.