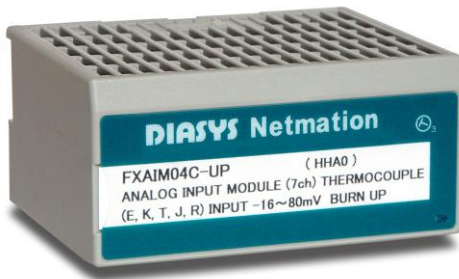


# FXAIM04C-UP AI module

ControlNet™ FLEX I/O™ Thermocouple inputs : 7



## ■ Outline

- \* Number of inputs: 7 (Thermocouple)
  - T,R,J,K,E type correspondence
  - -16 to 80 mV full scale
  - Detect overrange when disconnected
- \* Cold junction compensation RTD (Pt 100 Ω) input : 1
- \* AD converter duplicated
- \* FLEX I/O™ / ControlNet™ LAN compatible

\*ControlNet™ is ControlNet International's registered trademark.  
\*FLEX I/O™ is Rockwell Automation's registered trademark.

| ITEM                      | SPECIFICATION  |
|---------------------------|--|
| Number of inputs          | 7 (Thermocouple input)<br>1 (Cold junction compensation input)   |
| Isolation                 | Individual   |
| Input range               | T : -200 to 400°C<br>R : -50 to 1768°C<br>J : -200 to 1200°C<br>K : -200 to 1372°C<br>E : -200 to 1000°C<br>RTD : -10 to 100°C   |
| Resolution                | 16 bits  |
| Input impedance           | More than 5 MΩ   |
| Data format               | 16 bits 2's complement   |
| AD converter              | Duplicated<br>Selection system based on upper logics   |
| Conversion type           | Successive approximation   |
| Conversion rate           | 5 μs/ch  |
| Data refresh cycle        | 40 ms  |
| Relative accuracy         | ±0.1% FSD  |
| Temperature drift         | Less than ±100 ppm/°C  |
| Input filter              | (1) Analog filter<br>(2) Digital filter  |
| Wire break detection      | About 33.1 ms<br>0 ms, 50 ms, 100 ms, 500 ms<br>(Program selectable, whole channels batch setting)   |
| Self-diagnostic functions | Move to upper limit when break down<br>Watchdog timer<br>Power supply voltage low<br>Bus time-out  |
| Indicator                 | LED × 1 2 modes<br>Green (Normal)<br>Red (Abnormal)  |
| Compatible terminal bases | 1794 - TB3/TB3S<br>1794 - TBN/TBNF   |
| Dielectric strength       | AC 500 V<br>Between input terminal and FG (1 min.)<br>Between input channels (1 min.)  |
| Environmental conditions  | (Operating)<br>Temperature: 0 to 55°C<br>Humidity: 5 to 95% RH<br>(No condensation)<br><br>(Storage)<br>Temperature: -40 to 85°C<br>Humidity: 5 to 95% RH<br>(No condensation) |
| Power supply              | DC 24 V ±10% / Less than 60 mA<br>DC 5 V / Less than 80 mA (FLEX BUS)  |
| Shock/Vibration           | 15 G / 2 G @ 10 to 500 Hz  |
| Dimensions                | 75 mm (D) × 46 mm (H) × 94 mm (W)  |

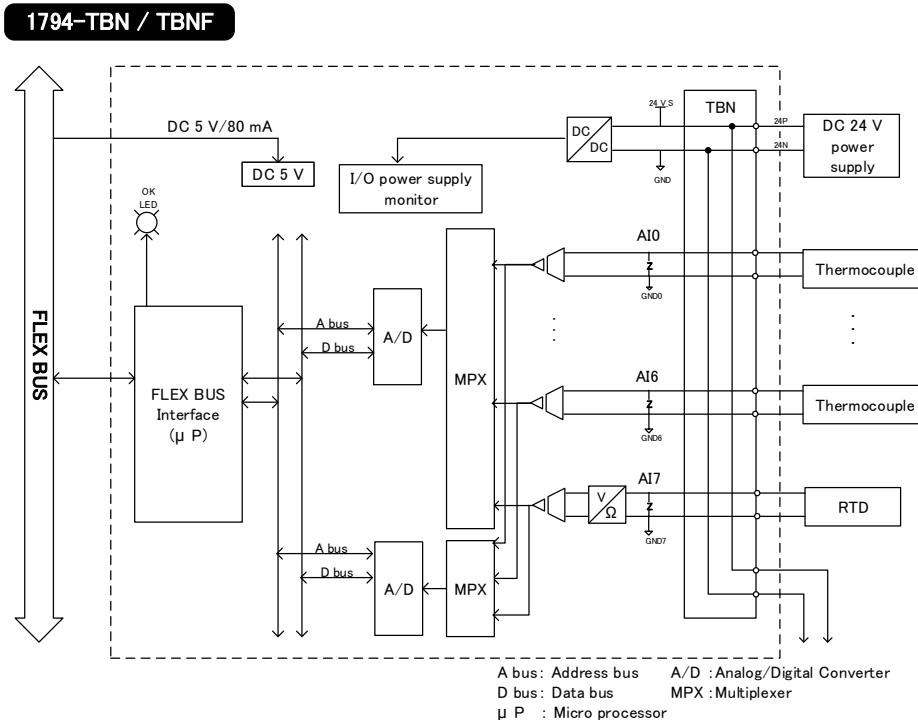
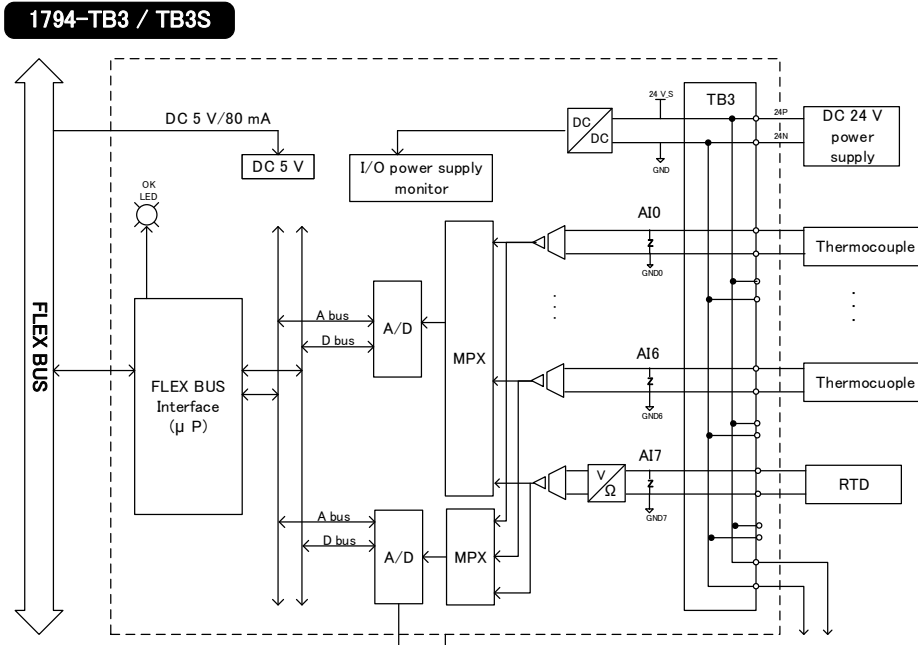
This product uses technology licensed from Rockwell Automation Technologies, Inc.

# FXAIM04C-UP AI module

ControlNet™ FLEX I/O™ Thermocouple inputs : 7

\*ControlNet™ is ControlNet International's registered trademark.  
\*FLEX I/O™ is Rockwell Automation's registered trademark.

## FXAIM04C-UP block diagram



When using, please read the instruction manual attached to the product carefully and use it properly.

This catalog may not be distributed or reproduced in whole or in part without permission.

Please be aware that due to product improvements and modifications, the product description in this catalog may differ in certain respects from the actual product.

DIASYS Netmation/DIASYS Netmation4S is a registered trademark of Mitsubishi Heavy Industries, Ltd.

The service names and product names of other companies described in this catalog are the trademarks or registered trademarks of each company.