

FXDIM02 DI module

ControlNet™ FLEX I/O™ DC 48 V inputs : 16

*ControlNet™ is ControlNet International's registered trademark.
*FLEX I/O™ is Rockwell Automation's registered trademark.



■ Outline

- * Number of inputs : 16
- * Rated input voltage : DC 48 V
- * FLEX I/O™ / ControlNet™ LAN compatible

ITEM	SPECIFICATION
Number of inputs	16
Isolation	Opto-isolation Current sourcing input with a (-) common return
Rated input voltage	DC 48 V
Rated input current	5 mA
Minimum on current	1.8 mA
Input filter	Digital filter 0 ms, 5 ms, 10 ms, 50 ms (Program selectable, whole channels batch setting)
Self-diagnostic functions	Watchdog timer Power supply voltage low Bus time-out
Indicator	LED × 1 2 modes Green (Normal) Red (Abnormal) LED × 16 Yellow (ON) Off (OFF)
Compatible terminal bases	1794-TB3/TB3S
Dielectric strength	AC 1500 V Between input terminal and FG (1 min.)
Environmental conditions	(Operating) Temperature: 0 to 55°C Humidity: 5 to 95% RH (No condensation) (Storage) Temperature: -40 to 85°C Humidity: 5 to 95% RH (No condensation)
Power supply	DC 48 V ±10% / Less than 90 mA DC 5 V / Less than 80 mA (FLEX BUS)
Shock/Vibration	15 G / 2 G @ 10 to 500 Hz
Dimensions	75 mm (D) × 46 mm (H) × 94 mm (W)

This product uses technology licensed from Rockwell Automation Technologies, Inc.

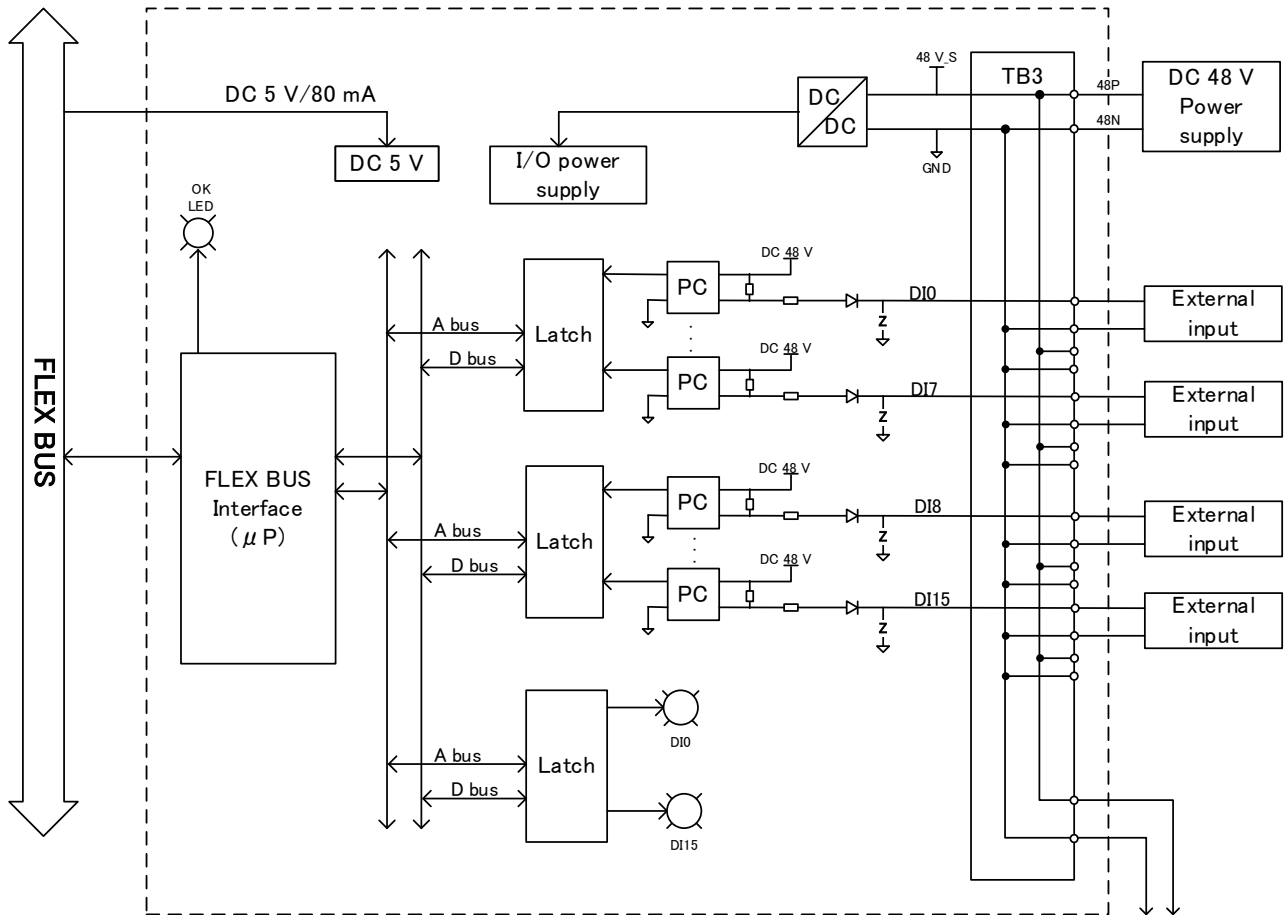
FXDIM02 DI module

ControlNet™ FLEX I/O™ DC 48 V inputs : 16

*ControlNet™ is ControlNet International's registered trademark.
*FLEX I/O™ is Rockwell Automation's registered trademark.

FXDIM02 block diagram

1794-TB3 / TB3S



A bus: Address bus PC : Photo coupler
D bus: Data bus DC/DC: DC/DC converter
μ P : Micro processor

When using, please read the instruction manual attached to the product carefully and use it properly.
This catalog may not be distributed or reproduced in whole or in part without permission.
Please be aware that due to product improvements and modifications, the product description in this catalog may differ in certain respects from the actual product.
DIASYS Netmation/DIASYS Netmation4S is a registered trademark of Mitsubishi Heavy Industries, Ltd.
The service names and product names of other companies described in this catalog are the trademarks or registered trademarks of each company.