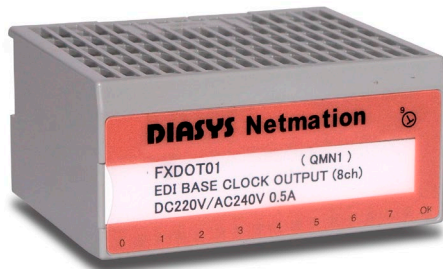


FXDOT01 DO module

ControlNet™ FLEX I/O™ Tact signal outputs : 8

*ControlNet™ is ControlNet International's registered trademark.
*FLEX I/O™ is Rockwell Automation's registered trademark.



■ Outline

- * For event DI module use
Number of outputs : 8 (Tact signal)
- * FLEX I/O™ / ControlNet™ LAN compatible

ITEM	SPECIFICATION
Number of Tact signal outputs	8
Isolation	Opto-isolation Individual
Contact	MOSFET N.O. PhotoMOS® Relay
Output voltage	(1794-TB3) DC 120 V/AC 120 V 0.5 A (1794-TBN) DC 220 V/AC 230 V 0.5 A
Output leakage current	Maximum 10 μ A
Output ON resistance	Maximum 3.2 Ω
Tact signal output cycle	20 sec Every minute 00 second: long pulse (1 sec) Every minute 20 second: short pulse (100 ms) Every minute 40 second: short pulse (100 ms)
Self-diagnostic functions	Watchdog timer Power supply voltage low Bus time-out
Indicator	LED \times 1 2 modes Green (Normal) Red (Abnormal) LED \times 8 Yellow (ON) Off (OFF)
Compatible terminal bases	1794-TB3/TB3S 1794-TBN/TBNF
Dielectric strength	AC 1500 V Between output terminal and FG (1 min.) Between output channels (1 min.)
Environmental conditions	(Operating) Temperature: 0 to 55°C Humidity: 5 to 95% RH (No condensation) (Storage) Temperature: -40 to 85°C Humidity: 5 to 95% RH (No condensation)
Power supply	DC 24 V \pm 10% / Less than 40 mA DC 5 V / Less than 80 mA (FLEX BUS)
Shock/Vibration	15 G / 2 G @ 10 to 500 Hz
Dimensions	75 mm (D) \times 46 mm (H) \times 94 mm (W)

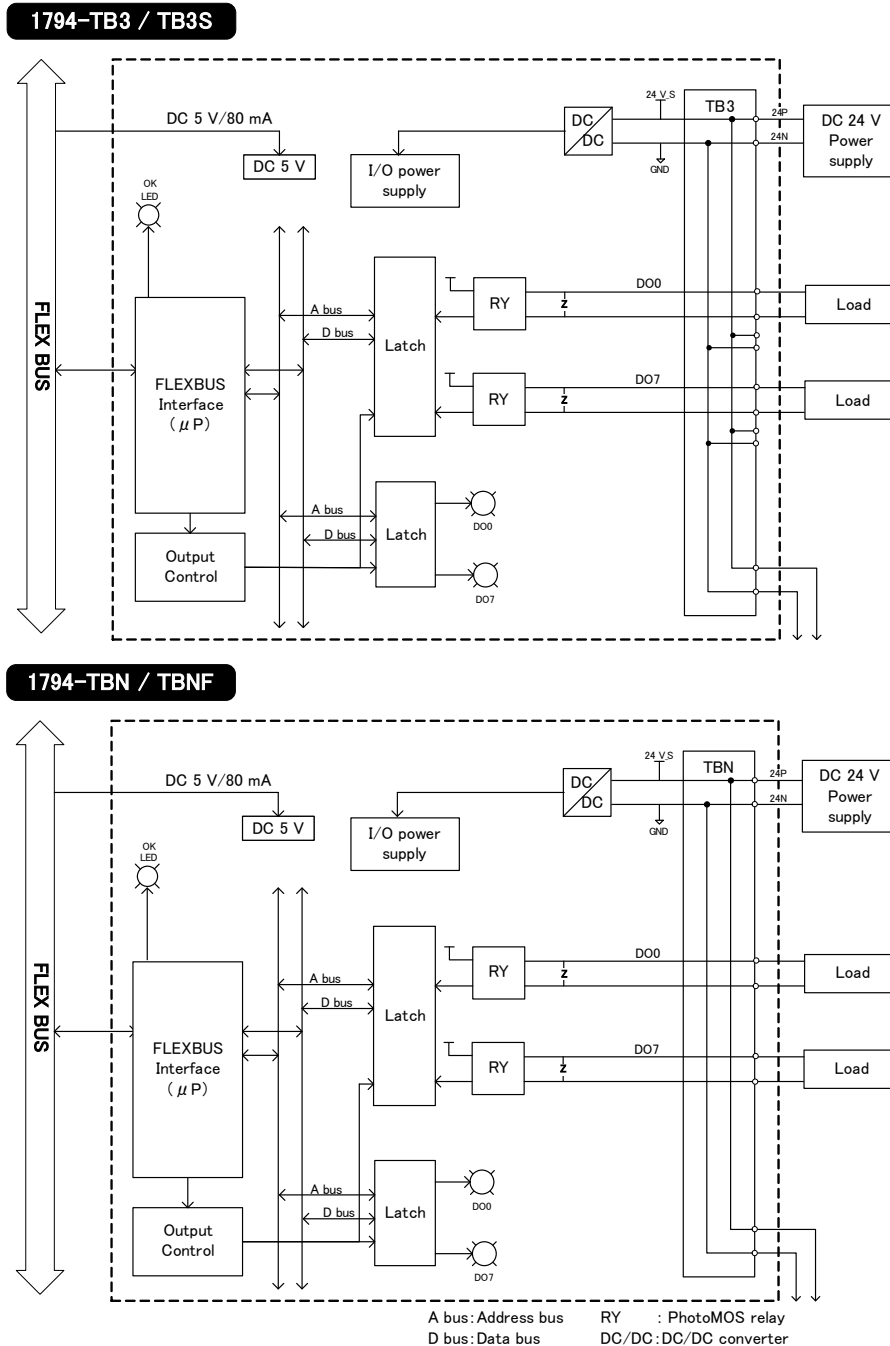
This product uses technology licensed from Rockwell Automation Technologies, Inc.

FXDOT01 DO module

ControlNet™ FLEX I/O™ Tact signal outputs : 8

*ControlNet™ is ControlNet International's registered trademark.
*FLEX I/O™ is Rockwell Automation's registered trademark.

FXDOT01 block diagram



When using, please read the instruction manual attached to the product carefully and use it properly.

This catalog may not be distributed or reproduced in whole or in part without permission.

Please be aware that due to product improvements and modifications, the product description in this catalog may differ in certain respects from the actual product.

DIASYS Netmation/DIASYS Netmation4S is a registered trademark of Mitsubishi Heavy Industries, Ltd.

The service names and product names of other companies described in this catalog are the trademarks or registered trademarks of each company.