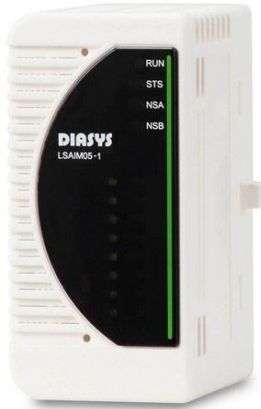


LSAIM05-1 AI module

LS communication RTD inputs : 4 Pt100/Cu10

■ Summary



- * Number of inputs : 4 : Resistance temperature input
(3 wire type, 4 wire type compatible, channel individual isolation)
- * Input range : Pt100 ; -100 to 650°C (Wide)
Pt100 ; -40 to 60°C (Narrow)
Cu10 ; 0 to 130°C
- * Module ambient temperature : -5 to 60°C
- * Insulation method : Photocoupler insulation

LSAIM05-1 AI module

LS communication RTD inputs : 4 Pt100/Cu10

■ Specifications

ITEM		SPECIFICATION		
Input	Number of channels	4 (3 wire type, 4 wire type compatible, channel individual isolation)		
	Resolution	16 bits		
	Range(Full Scale) * ¹	Pt100 (60.26 to 329.64 Ω) -100 to 650°C (Wide)	Pt100 (84.27 to 123.24 Ω) -40 to 60°C (Narrow)	Cu10; 0 to 130°C (9.038 to 14.043 Ω)
Data refresh cycle		50 ms/All channels	50 ms/All channels	50 ms/All channels
Absolute accuracy @25°C	4 wire type & 3 wire type	±0.75°C	±0.4°C	±1.0°C
Temperature drift @-5 to 60°C (Relative to full-scale)	4 wire type	Less than ±100 ppm/°C	Less than ±200 ppm/°C	Less than ±250 ppm/°C
	3 wire type	Less than ±100 ppm/°C	Less than ±333 ppm/°C	Less than ±500 ppm/°C
CMRR	RTD	4W-Pt100 (Wide)	When voltage	100 dB or more attenuation
			When Current	100 dB or more attenuation
	4W-Pt100 (Narrow)	When voltage	100 dB or more attenuation	
		When Current	100 dB or more attenuation	
	4W-Cu10	When voltage	100 dB or more attenuation	
		When Current	100 dB or more attenuation	
NMRR	RTD	20 dB or more attenuation		
Wiring resistance	One wiring neighborhood	Less than 5 Ω (At 850°C in Wide range)	Less than 2 Ω (4wire type) Less than 1 Ω (3wire type)	
Input filter		Software digital filter (Channel individual)		
Dielectric strength		AC 500 V input terminal – between PE Between input channels		
Communication with IOA	Communication method	LVDS		
	Communication speed	100 Mbps		
Self-diagnostic functions		Power voltage check (24 V, 3.3 V, 2.5V, 1.8V, 1.0 V) Clock check (FPGA-MCU for diagnosis, MCU for diagnosis -FPGA) Heartbeat check (FPGA-MCU for diagnosis, MCU for diagnosis -FPGA) CRC check (FPGA) AI communication error check		
Detective		ADC abnormal check I/O signal range check (Overrange, Underrange) * ¹		
When disconnected		Simultaneous detection of underrange and overrange		
Protection	(Power supply protection)	Overvoltage protection Overcurrent protection		
Indicator	Display LED	4: RUN (Run) / STS (Status) / NSA (Network status A) / NSB (Network status B)		
Insulation method		Photocoupler insulation		
Hot swap		Possible		
Power supply		DC 24 V ±20% (The voltage supplied from the backplane)		
Environmental conditions	Module ambient temperature	(Operating) -5 to 60°C (Storage) -40 to 85°C		
	Module ambient humidity	(Operating / Storage) Less than 95% RH (No condensation)		
Vibration		3.5 mm @5 to 8.4 Hz 1 G @8.4 to 150 Hz		
Shock		15 G 11 ms		
Current consumption		Less than 82 mA		
Weight		0.12 kg		
Dimensions		62 mm (D) x 94 mm (H) x 46 mm (W) (Except projection)		
Standard/Directive		EN 61131-2:2007, RoHS		

About compliant module type

For compliant modules of this product, please refer to “Compliant backplane list (CGS-S9901-E-XX)”.

For compliant modules of this product, please refer to “Compliant accessory connector list (CGS-S9902-E-XX)”.

LSAIM05-1 AI module

LS communication RTD inputs : 4 Pt100/Cu10

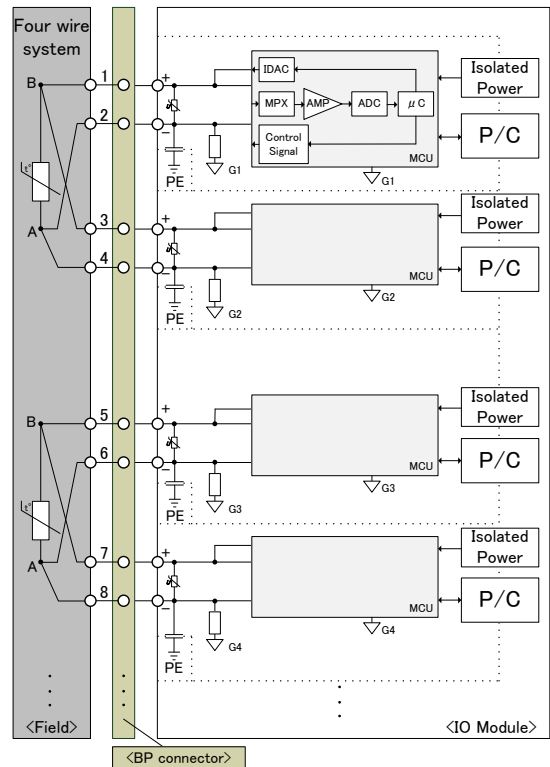
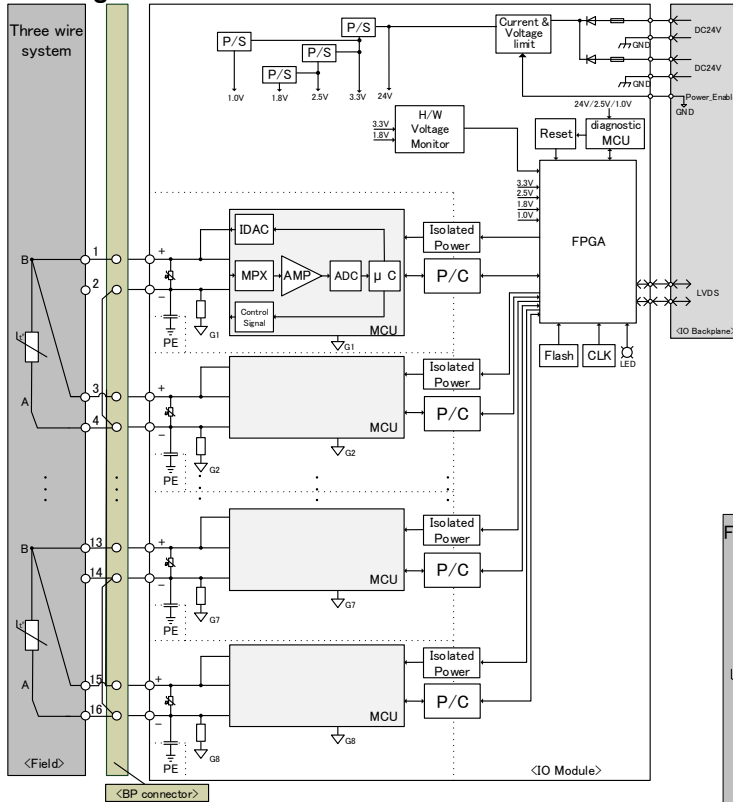
*¹ Input Overage / Input Underrange are detected under the following conditions.





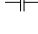

- Pt100 (Wide) : Less than -200°C ($18.52 \ \Omega$) / More than 850°C ($390.48 \ \Omega$)
- Pt100 (Narrow) : Less than -42.957°C ($83.10 \ \Omega$) / More than 63.044°C ($124.41 \ \Omega$)
- Cu10 : Less than 0°C ($9.038 \ \Omega$) / More than 130°C ($14.043 \ \Omega$)

LSAIM05-1 AI module

LS communication RTD inputs : 4 Pt100/Cu10

■ Block diagram



- P/S : Power supply
- IDAC : Iout Digital analog converter
- MPX : Multiplexer
- AMP : Amplifier
- ADC : Analog digital converter
- μ C : Micro controller
- CLK : Clock
- FPGA : Field programmable gate array
- LED : Light emitting diode
- MCU : Micro control unit
- GND,G1 to G8 : Ground
- IOA : I/O adapter
- LVDS : Low Voltage Differential Signaling
- BP : Backplane
- PE : Protective Earth
- P/C : Photocoupler
-  : Varistor
-  : Resistor
-  : Fuse
-  : Diode
-  : Thermistor
-  : Capacitor

When using, please read the instruction manual attached to the product carefully and use it properly.

This catalog may not be distributed or reproduced in whole or in part without permission.

Please be aware that due to product improvements and modifications, the product description in this catalog may differ in certain respects from the actual product.

DIASYS Netmation/DIASYS Netmation4S is a registered trademark of Mitsubishi Heavy Industries, Ltd.

The service names and product names of other companies described in this catalog are the trademarks or registered trademarks of each company.