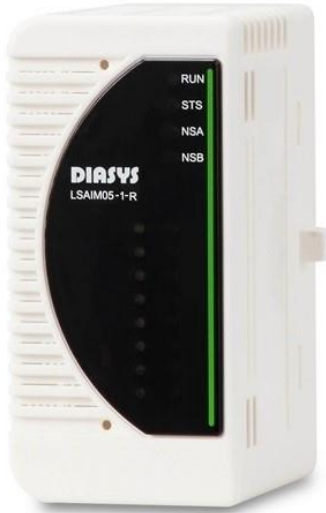


LSAIM05-1-R AI module

LS communication RTD inputs : 4 Pt100/Cu10

■ Summary



- * Number of inputs : 4 : Resistance temperature input
(3 wire type, 4 wire type compatible, channel individual isolation)
- * Input range : Pt100 ; -100 to 650°C (Wide)
Pt100 ; -40 to 60°C (Narrow)
Cu10 ; 0 to 130°C
- * Module ambient temperature : 0 to 55°C
- * Insulation method : Photocoupler insulation
- * Supported FXtoLS adapter : LSRLTS-AI05



This module is dedicated to compact retrofit terminal blocks.
Dedicated lock pins are attached to the bottom.

LSAIM05-1-R AI module

LS communication RTD inputs : 4 Pt100/Cu10

■ Specifications

ITEM		SPECIFICATION		
Input	Number of channels	4 (3 wire type, 4 wire type compatible, channel individual isolation)		
	Resolution	16 bits		
	Range(Full Scale) * ¹	Pt100 (60.26 to 329.64 Ω) -100 to 650°C (Wide)	Pt100 (84.27 to 123.24 Ω) -40 to 60°C (Narrow)	Cu10; 0 to 130°C (9.038 to 14.043 Ω)
Data refresh cycle	50 ms/All channels		50 ms/All channels	
Absolute accuracy @25°C	4 wire type & 3 wire type	±0.75°C	±0.4°C	±1.0°C
Temperature drift @-5 to 60°C (Relative to full-scale)	4 wire type	Less than ±100 ppm/°C	Less than ±200 ppm/°C	Less than ±250 ppm/°C
	3 wire type	Less than ±100 ppm/°C	Less than ±333 ppm/°C	Less than ±500 ppm/°C
CMRR	RTD	4W-Pt100 (Wide)	When voltage	100 dB or more attenuation
			When Current	100 dB or more attenuation
	4W-Pt100 (Narrow)	When voltage	100 dB or more attenuation	
		When Current	100 dB or more attenuation	
	4W-Cu10	When voltage	100 dB or more attenuation	
		When Current	100 dB or more attenuation	
NMRR	RTD	20 dB or more attenuation		
Wiring resistance	One wiring neighborhood	Less than 5 Ω (At 850°C in Wide range)	Less than 2 Ω (4wire type) Less than 1 Ω (3wire type)	
Input filter	Software digital filter (Channel individual)			
Dielectric strength	AC 500 V input terminal – between PE Between input channels			
Communication with IOA	Communication method	LVDS		
	Communication speed	100 Mbps		
Self-diagnostic functions	Power voltage check (24 V, 3.3 V, 2.5V, 1.8V, 1.0 V) Clock check (FPGA-MCU for diagnosis, MCU for diagnosis -FPGA) Heartbeat check (FPGA-MCU for diagnosis, MCU for diagnosis -FPGA) CRC check (FPGA) AI communication error check			
Detective	ADC abnormal check I/O signal range check (Overrange, Underrange) * ¹			
When disconnected	Simultaneous detection of underrange and overrange			
Protection	(Power supply protection)	Overvoltage protection Overcurrent protection		
Indicator	Display LED	4: RUN (Run) / STS (Status) / NSA (Network status A) / NSB (Network status B)		
Insulation method	Photocoupler insulation			
Hot swap	Possible			
Power supply	DC 24 V ±20% (The voltage supplied from the backplane)			
Environmental conditions	Module ambient temperature	(Operating) 0 to 55°C (Storage) -40 to 85°C		
	Module ambient humidity	(Operating / Storage) Less than 95% RH (No condensation)		
Vibration	3.5 mm @5 to 8.4 Hz 1 G @8.4 to 150 Hz			
Shock	15 G 11 ms			
Current consumption	Less than 82 mA			
Weight	0.12 kg			
Dimensions	62 mm (D) x 94 mm (H) x 46 mm (W) (Except projection)			
Standard/Directive	EN 61131-2:2007, RoHS			

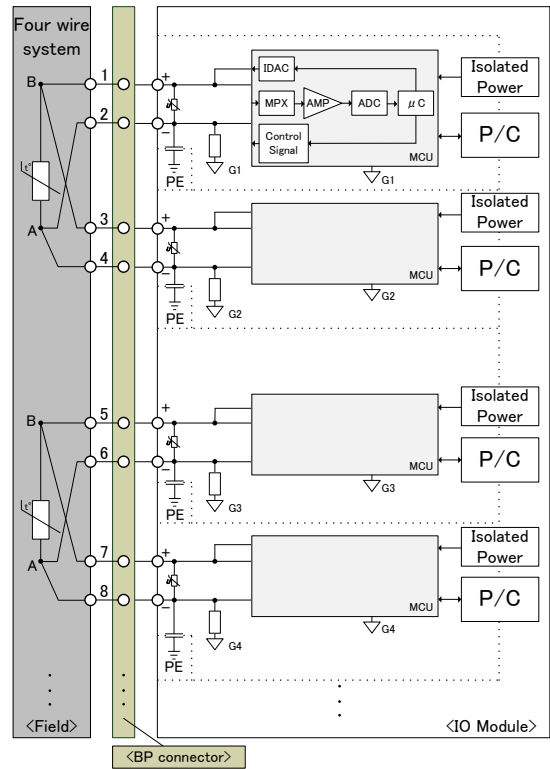
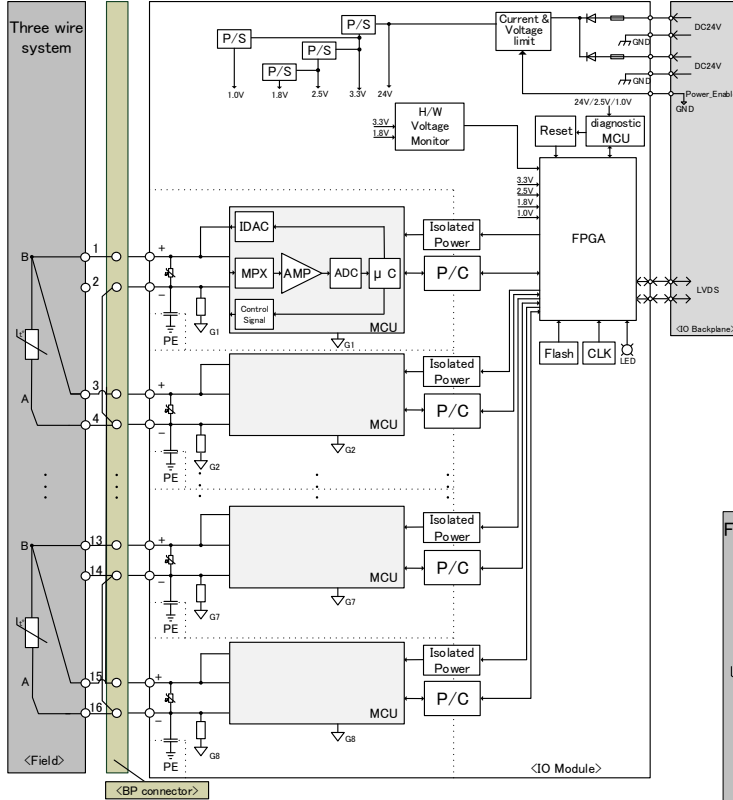
*¹ Input Overrange / Input Underrange are detected under the following conditions.






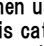
- Pt100 (Wide) : Less than -200°C (18.52 Ω) / More than 850°C (390.48 Ω)
- Pt100 (Narrow) : Less than -42.957°C (83.10 Ω) / More than 63.044°C (124.41 Ω)
- Cu10 : Less than 0°C (9.038 Ω) / More than 130°C (14.043 Ω)

LSAIM05-1-R AI module

LS communication RTD inputs : 4 Pt100/Cu10

Block diagram



- P/S : Power supply
- IDAC : Inout Digital analog converter
- MPX : Multiplexer
- AMP : Amplifier
- ADC : Analog digital converter
- μ C : Micro controller
- CLK : Clock
- FPGA : Field programmable gate array
- LED : Light emitting diode
- MCU : Micro control unit
- GND,G1 to G8 : Ground
- IOA : I/O adapter
- LVDS : Low Voltage Differential Signaling
- BP : Backplane
- PE : Protective Earth
- P/C : Photocoupler
-  : Varistor
-  : Resistor
-  : Fuse
-  : Diode
-  : Thermistor
-  : Capacitor

When using, please read the instruction manual attached to the product carefully and use it properly.

This catalog may not be distributed or reproduced in whole or in part without permission.

Please be aware that due to product improvements and modifications, the product description in this catalog may differ in certain respects from the actual product.

DIASYS Netmation/DIASYS Netmation4S is a registered trademark of Mitsubishi Heavy Industries, Ltd.

The service names and product names of other companies described in this catalog are the trademarks or registered trademarks of each company.