

LSSCG01 Scanner Gateway module

Gigabit Ethernet 1000BASE-T Specification compliance Bridge unit for D-Ring (For optical communication expansion)

■ Summary



* Major function : Giga-bit Ethernet-Optical communication bridge

* Module ambient temperature : -5 to 60°C

LSSCG01 Scanner Gateway module

Gigabit Ethernet 1000BASE-T Specification compliance Bridge unit for D-Ring (For optical communication expansion)

■ Specifications

| ITEM | | SPECIFICATION | |
|----------------------------------|-------------------------------------|--|-----|
| Function | | I/O module communication (LVDS) D-Ring (Giga-bit Ethernet ring communication) Optical communication interface for expansion (100 Mbps multimode communication) | |
| Number of D-Ring addressing node | | Maximum 32 node | |
| EEPROM | | 2 kbit (For initial setting information of MAC address) | |
| Ethernet interface | For D-Ring | 1000BASE-T | : 2 |
| Optical communication interface | For optical communication expansion | 100BASE-FX | : 3 |
| | | Connector type: MT-RJ (No pins) Cable specification: multimode50/125 μ m or 62.5/125 μ m | |
| User interface | | Micro SD card | : 1 |
| | | Control/standby switch | : 1 |
| | | Reset switch | : 1 |
| | | USB mini-B | : 1 |
| Controller | | Xilinx Spartan6 XC6SLX100 | |
| I/O Communication | Communication method | LVDS | |
| | Communication speed | 100 Mbps | |
| Self-diagnostic functions | | Clock abnormal check CRC check (FPGA) Memory check Power voltage check Configuration check | |
| Data check method | | CRC32 | |
| Indicator | | 4: PWR (Power)/STS (Status)/MOD (Mode)/ACC (Access) | |
| Hot swap | | Possible | |
| Power supply | | DC 24 V \pm 20% (The voltage supplied from the backplane) | |
| Environmental conditions | Module ambient temperature | (Operating) -5 to 60°C (Storage) -40 to 85°C | |
| | Module ambient humidity | (Operating / Storage) 10 to 95% RH or less (No condensation) | |
| Vibration | | 3.5 mm @5 to 8.4 Hz 1 G @8.4 to 150 Hz | |
| Shock | | 15 G 11 ms | |
| Current consumption | | Less than 444 mA | |
| Weight | | 0.40 kg | |
| Dimensions | | 112 mm (D) x 117 mm (H) x 46 mm (W) (Except projection) | |
| Standard/Directive | | EN 61131-2:2007, RoHS | |

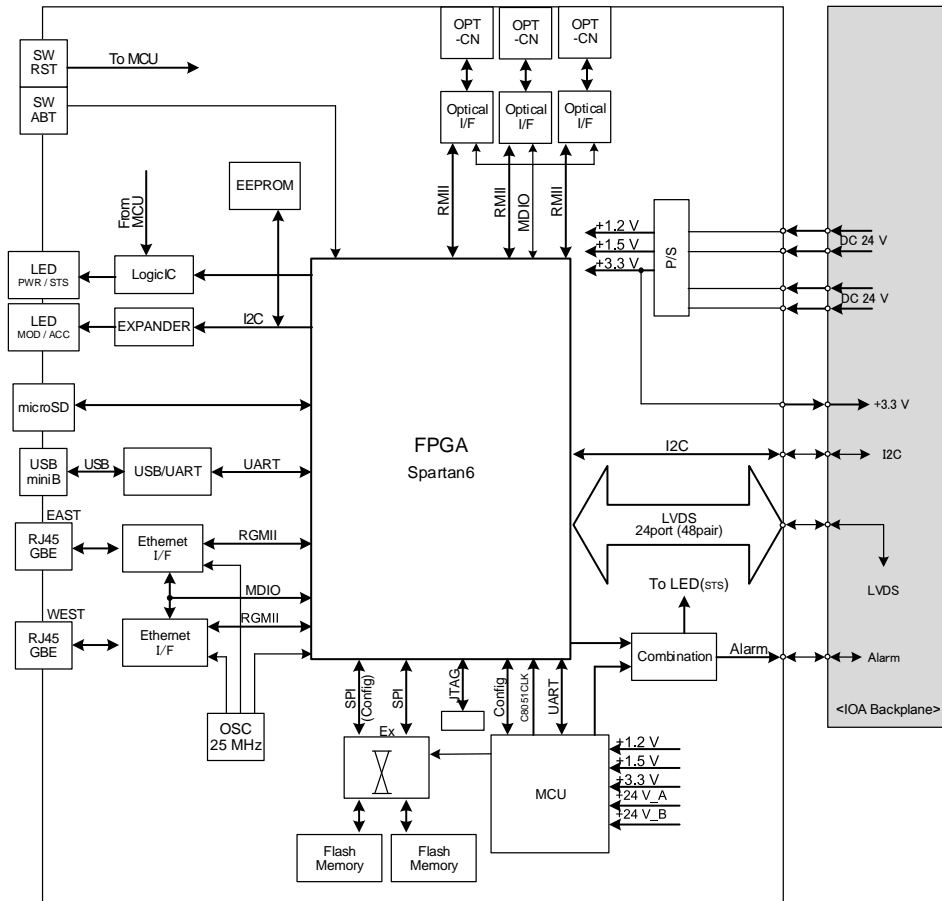
About compliant module type

For compliant modules of this product, please refer to "Compliant backplane list (CGS-S9901-E-XX)".

LSSCG01 Scanner Gateway module

Gigabit Ethernet 1000BASE-T Specification compliance Bridge unit for D-Ring (For optical communication expansion)

■ Block diagram



| | | |
|----------|---|---|
| P/S | : | Power Supply |
| I2C | : | Inter-Integrated Circuit |
| OPT-CN | : | Optical connector |
| RJ45_GBE | : | RJ45 connector _ Giga bit Ethernet |
| RMIIO | : | Reduced Media Independent Interface |
| MDIO | : | Management Data Input/Output Bus |
| FPGA | : | Field Programmable Gate Array |
| MCU | : | Micro controller Unit |
| UART | : | Universal Asynchronous Receiver Transmitter |
| JTAG | : | Joint Test Action Group |
| SPI | : | Serial Peripheral Interface |
| Flash | : | Flash memory |
| Ex | : | Exchange device |
| CLK | : | Clock Oscillator |
| OSC | : | Oscillator |
| EEPROM | : | Electrically Erasable Programmable Read-Only Memory |
| SW_RST | : | Reset switch |
| SW_ABO | : | Abort switch |
| LED | : | Light Emitting Diode |
| PWR/STS | : | Power/Status |
| MOD/ACC | : | Mode/Access |

When using, please read the instruction manual attached to the product carefully and use it properly.

This catalog may not be distributed or reproduced in whole or in part without permission.

Please be aware that due to product improvements and modifications, the product description in this catalog may differ in certain respects from the actual product.

DIASYS Netmation/DIASYS Netmation4S is a registered trademark of Mitsubishi Heavy Industries, Ltd.

The service names and product names of other companies described in this catalog are the trademarks or registered trademarks of each company.