

LSSCG02-1 Super Scanner Gateway module

Gigabit Ethernet 1000BASE-T Specification compliance Bridge unit for D-Ring (For MPS communication)

■ Summary



*Major function : MPS-Ring communication bridge

*Module ambient temperature : -5 to 60°C

LSSCG02-1 Super Scanner Gateway module

Gigabit Ethernet 1000BASE-T Specification compliance Bridge unit for D-Ring (For MPS communication)

■ Specifications

ITEM		SPECIFICATION
Function		D-Ring (Giga-bit Ethernet ring communication)
Number of D-Ring addressing node		Maximum 32 node
EEPROM		2 kbit (For initial setting information of MAC address)
Ethernet interface	For D-Ring	1000BASE-T : 2
	For MPS communication	1000BASE-T : 2
	For maintenance	100BASE-T : 1
User interface		Micro SD card : 1 Control/standby switch : 1 Reset switch : 1 USB mini-B : 1
Controller		Xilinx Spartan6 XC6SLX100
Self-diagnostic functions		Clock abnormal check CRC check (FPGA) Memory check Power voltage check Configuration check
Data check method		CRC32
Indicator		4: PWR (Power)/STS (Status)/MOD (Mode)/ACC (Access)
Hot swap		Possible
Power supply		DC 24 V \pm 20% (The voltage supplied from the backplane)
Environmental conditions	Module ambient temperature	(Operating) -5 to 60°C (Storage) -40 to 85°C
	Module ambient humidity	(Operating / Storage) 10 to 95% RH or less (No condensation)
Vibration		3.5 mm @5 to 8.4 Hz 1 G @8.4 to 150 Hz
Shock		15 G 11 ms
Current consumption		Less than 329 mA
Weight		0.27 kg
Dimensions		112 mm (D) x 117 mm (H) x 46mm (W) (Except projection)
Standard/Directive		EN 61131-2:2007, RoHS

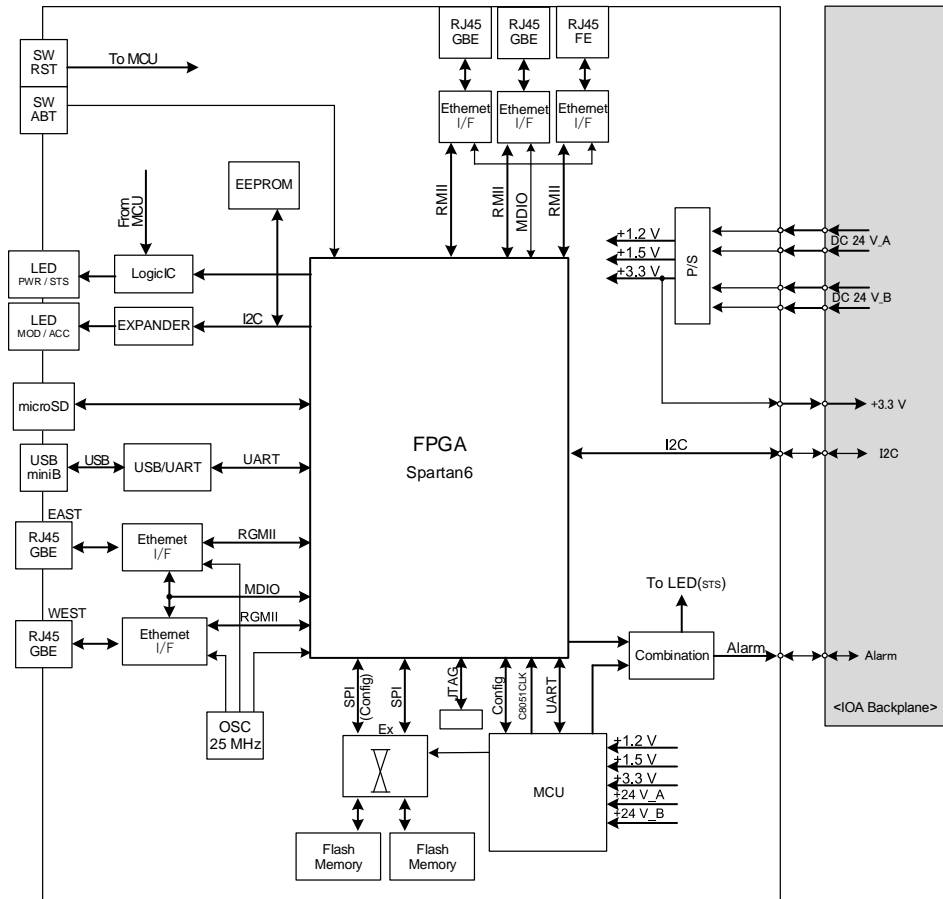
About compliant module type

For compliant modules of this product, please refer to "Compliant backplane list (CGS-S9901-E-XX)".

LSSCG02-1 Super Scanner Gateway module

Gigabit Ethernet 1000BASE-T Specification compliance Bridge unit for D-Ring (For MPS communication)

■ Block diagram



P/S	:	Power Supply
I2C	:	Inter-Integrated Circuit
RJ45_FE	:	RJ45 connector _ Fast Ethernet
RJ45_GBE	:	RJ45 connector _ Giga bit Ethernet
RMII	:	Reduced Media Independent Interface
MDIO	:	Management Data Input/Output Bus
FPGA	:	Field Programmable Gate Array
MCU	:	Micro controller Unit
UART	:	Universal Asynchronous Receiver Transmitter
JTAG	:	Joint Test Action Group
SPI	:	Serial Peripheral Interface
Flash	:	Flash memory
Ex	:	Exchange device
CLK	:	Clock Oscillator
OSC	:	Oscillator
EEPROM	:	Electrically Erasable Programmable Read-Only Memory
SW_RST	:	Reset switch
SW_ABO	:	Abort switch
LED	:	Light Emitting Diode
PWR/STS	:	Power/Status
MOD/ACC	:	Mode/Access

When using, please read the instruction manual attached to the product carefully and use it properly.

This catalog may not be distributed or reproduced in whole or in part without permission.

Please be aware that due to product improvements and modifications, the product description in this catalog may differ in certain respects from the actual product.

DIASYS Netmation/DIASYS Netmation4S is a registered trademark of Mitsubishi Heavy Industries, Ltd.

The service names and product names of other companies described in this catalog are the trademarks or registered trademarks of each company.