

LSSCG02-2 Super Scanner Gateway module

Gigabit Ethernet 1000BASE-T Specification compliance Bridge unit for D-Ring (For MPS communication)

■ Summary



*Major function : MPS-Ring communication bridge

*Module ambient temperature : -5 to 60°C

LSSCG02-2 Super Scanner Gateway module

Gigabit Ethernet 1000BASE-T Specification compliance Bridge unit for D-Ring (For MPS communication)

■ Specifications

ITEM		SPECIFICATION
Function		D-Ring (Giga-bit Ethernet ring communication)
Number of D-Ring addressing node		Maximum 32 node
EEPROM		2 kbit (For initial setting information of MAC address)
Ethernet interface	For D-Ring	1000BASE-T : 2
	For MPS communication	1000BASE-T : 2
User interface	Abort switch	: 1
	Reset switch	: 1
	USB mini-B	: 1
Controller		Xilinx Spartan7
Self-diagnostic functions		Clock abnormal check CRC check (FPGA) Memory check Power voltage check Configuration check
Data check method		CRC32
Indicator		4: PWR (Power)/STS (Status)/MOD (Mode)/ACC (Access)
Hot swap		Possible
Power supply		DC 24 V \pm 20% (The voltage supplied from the backplane)
Environmental conditions	Module ambient temperature	(Operating) -5 to 60°C (Storage) -40 to 85°C
	Module ambient humidity	(Operating / Storage) 10 to 95% RH or less (No condensation)
Vibration		3.5 mm @5 to 8.4 Hz 1 G @8.4 to 150 Hz
Shock		15 G 11 ms
Current consumption		Less than 261 mA
Weight		0.26 kg
Dimensions		112 mm (D) x 117 mm (H) x 46mm (W) (Except projection)
Standard/Directive		EN 61131-2:2007, RoHS

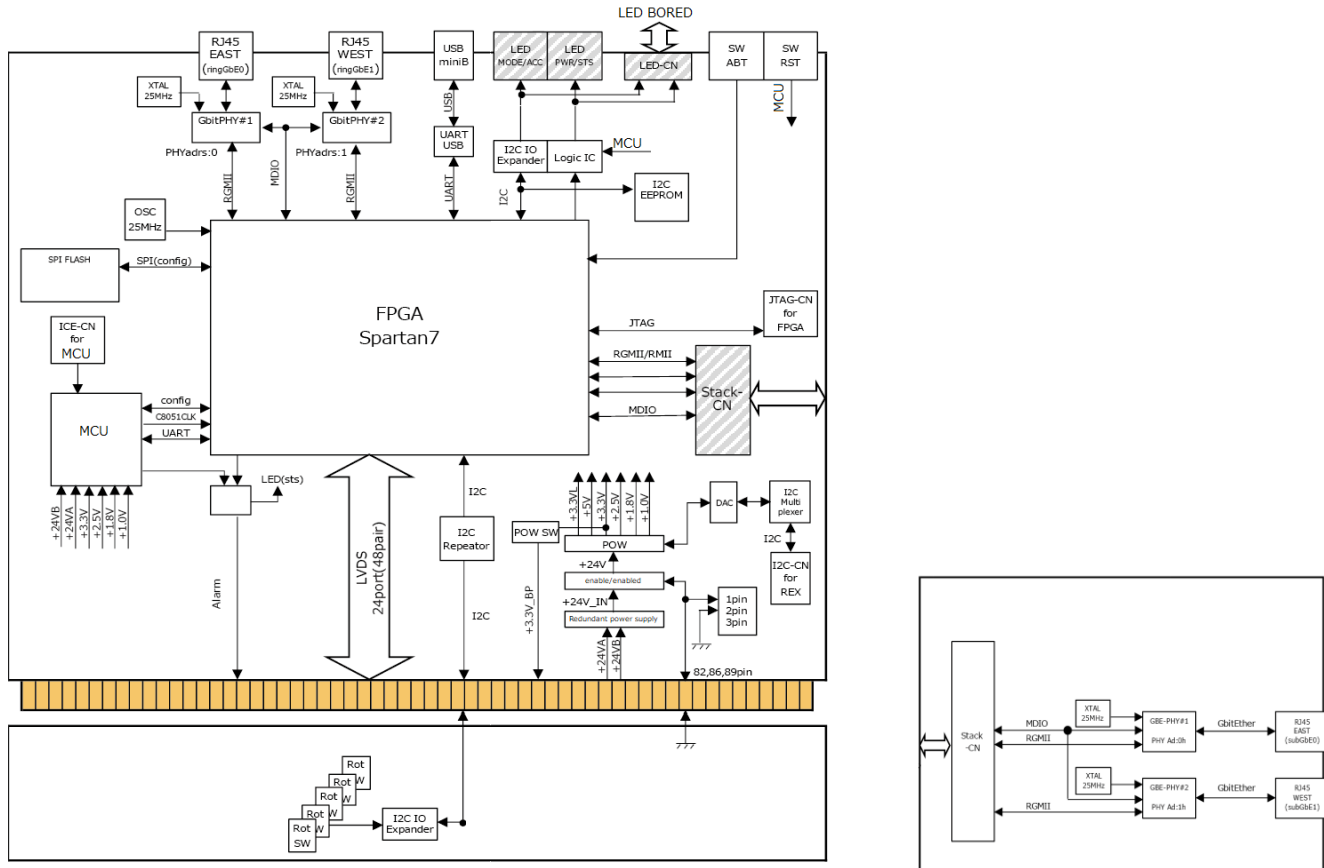
About compliant module type

For compliant modules of this product, please refer to " Compliant backplane list (CGS-S9901-E-XX) ".

LSSCG02-2 Super Scanner Gateway module

Gigabit Ethernet 1000BASE-T Specification compliance Bridge unit for D-Ring (For MPS communication)

Block diagram



- | | | |
|----------|---|---|
| P/S | : | Power Supply |
| I2C | : | Inter-Integrated Circuit |
| RJ45_FE | : | RJ45 connector _ Fast Ethernet |
| RJ45_GBE | : | RJ45 connector _ Giga bit Ethernet |
| RMII | : | Reduced Media Independent Interface |
| MDIO | : | Management Data Input/Output Bus |
| FPGA | : | Field Programmable Gate Array |
| MCU | : | Micro controller Unit |
| UART | : | Universal Asynchronous Receiver Transmitter |
| JTAG | : | Joint Test Action Group |
| SPI | : | Serial Peripheral Interface |
| Flash | : | Flash memory |
| Ex | : | Exchange device |
| CLK | : | Clock Oscillator |
| OSC | : | Oscillator |
| EEPROM | : | Electrically Erasable Programmable Read-Only Memory |
| SW_RST | : | Reset switch |
| SW_ABO | : | Abort switch |
| LED | : | Light Emitting Diode |
| PWR_STS | : | Power/Status |
| MOD_ACC | : | Mode/Access |

When using, please read the instruction manual attached to the product carefully and use it properly.

This catalog may not be distributed or reproduced in whole or in part without permission.

Please be aware that due to product improvements and modifications, the product description in this catalog may differ in certain respects from the actual product.

DIASYS Netmation/DIASYS Netmation4S is a registered trademark of Mitsubishi Heavy Industries, Ltd.

The service names and product names of other companies described in this catalog are the trademarks or registered trademarks of each company.