

# LSRLTOB-01 LVDS backplane

LVDS communication cable connection accessory (For I/O module backplane connection)

## ■ Summary



- \*LVDS backplane : For I/O module backplane connection  
LVDS communication cable connection accessory
- \*Power supply : DC 24 V (Connector connection between the I/O module backplane)

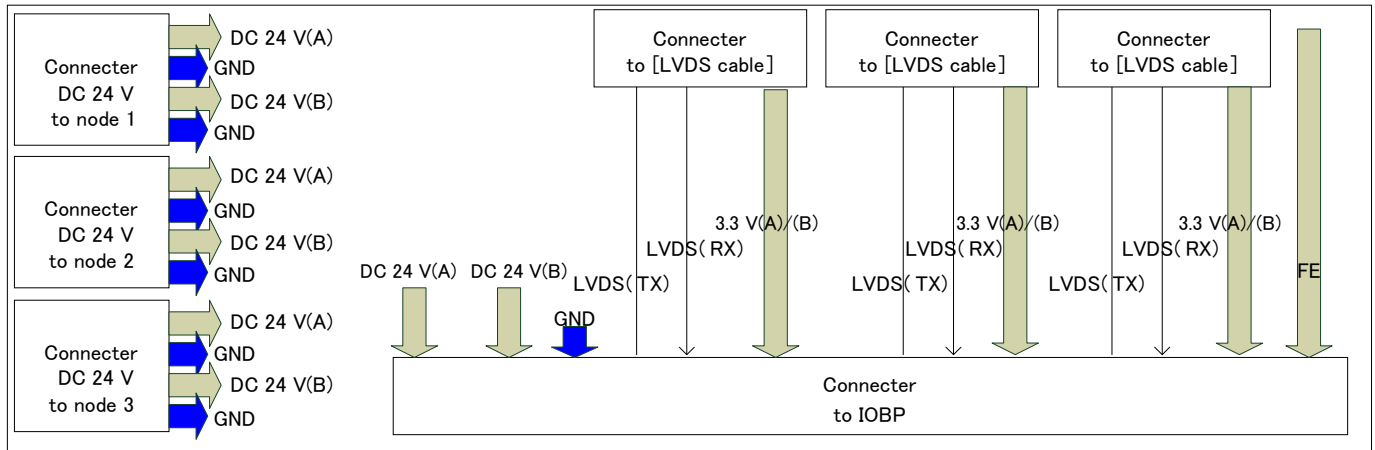
## ■ Specifications

ITEM		SPECIFICATION
Power Specifications	Rated voltage	DC 24 V $\pm$ 20% (Connector connection between the I/O module backplane)
	Redundancy method	Receiving of two independent systems
Communication method		LVDS
Power connector	Number of channels	3
	Rated current	9 A
	Applicable wire diameter	0.13 to 3.31 mm <sup>2</sup> (AWG 26 to AWG 12)
	Wire holding structure	Screw type (M2.5)
	Wire peeling length	7 mm
Tightening torque		0.4 Nm to 0.5 Nm
External input interface		LVDS communication connector : 3 DC 24 V power connector : 3
Environmental conditions	Module ambient temperature	(Operating) 0 to 55°C (Storage) -40 to 85°C
	Module ambient humidity	(Operating / Storage) 5 to 95% RH (No condensation)
Vibration		3.5 mm @ 5 Hz to 8.4 Hz 1 G @ 8.4 Hz to 150 Hz
Shock		15 G 11 ms
Weight		0.33 kg
Dimensions		42.5 mm (D) x 100 mm (H) x 202 mm (W) (Except projection)
Standard/Directive		EN 61131-2:2007, RoHS directive

# LSRLTOB-01 LVDS backplane

LVDS communication cable connection accessory (For I/O module backplane connection)

## ■ Block diagram



IOBP : I/O module backplane  
 LVDS : Low voltage differential signaling  
 GND : Ground  
 FE : Functional Earth

When using, please read the instruction manual attached to the product carefully and use it properly.

This catalog may not be distributed or reproduced in whole or in part without permission.

Please be aware that due to product improvements and modifications, the product description in this catalog may differ in certain respects from the actual product.

DIASYS Netmation/DIASYS Netmation4S is a registered trademark of Mitsubishi Heavy Industries, Ltd.

The service names and product names of other companies described in this catalog are the trademarks or registered trademarks of each company.