

# LFACT07 Accessory connector

Screw type, 0.2 to 1.5 mm<sup>2</sup>, Lock & Release latch, 18 pins

## ■ Summary



* Wire holding structure	: Screw type
* Wire size (Ferrule)	: 0.2 to 1.5 mm <sup>2</sup>
* Accessory connector rock method	: Release latch
* Number of pins	: 18

## ■ Specifications

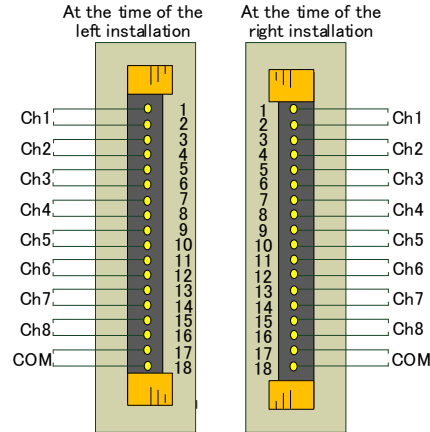
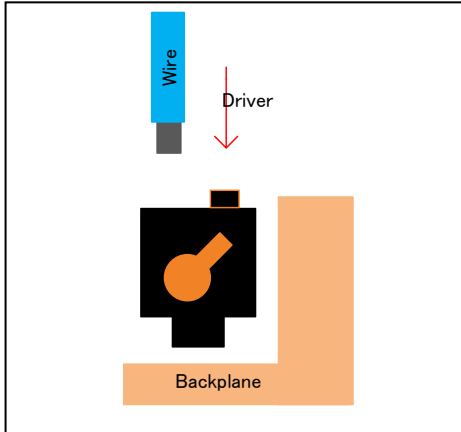
ITEM	SPECIFICATION
Classification	-
Connection Type	-
Attachment position on the IOM Backplane	Available on both right side and left
Tightening torque (to the IOM Backplane)	-
Number of pins	18
Pitch	5.08 mm
Wire holding structure	Screw type
Screw size	M2.5
Tightening torque	Minimum 0.4 Nm, Maximum 0.5 Nm
Power supply (IEC)	400 V
Rated current (IEC)	17.0 A @ 20°C
Dielectric strength	4 kV (Between neighbor pins)
Wire size	Wire end ferrule with isolation cover 0.2 to 1.5 mm <sup>2</sup> (AWG 24 to AWG 16)
	Flexible 0.2 to 1.5 mm <sup>2</sup> (AWG 24 to AWG 16)
Stripping length	13 mm
Flamability class UL94	V-0
Environmental conditions	Ambient temperature (Operating) -50 to 100°C (Storage) -40 to 70°C
	Ambient humidity (Operating) Less than 85% RH (No condensation) (Storage) Less than 85% RH (No condensation)
Weight	Less than 0.06 kg
Dimensions	17.4 mm (D) x 31.8 mm (H) x 101.3 mm (W) (Except projection)

About compliant module type:

For compliant modules of this product, please refer to "Compliant accessory connector list (CGS-S9902-E-XX)".

# LSACT07 Accessory connector

Screw type, 0.2 to 1.5 mm<sup>2</sup>, Lock & Release latch, 18 pins



When using, please read the instruction manual attached to the product carefully and use it properly.

This catalog may not be distributed or reproduced in whole or in part without permission.

Please be aware that due to product improvements and modifications, the product description in this catalog may differ in certain respects from the actual product.

DIASYS Netmation/DIASYS Netmation4S is a registered trademark of Mitsubishi Heavy Industries, Ltd.

The service names and product names of other companies described in this catalog are the trademarks or registered trademarks of each company.