

LFACT08 Accessory connector

Screw type, 0.2 to 1.5 mm², Screw latch, 18 pins

■ Summary



| | |
|-----------------------------------|------------------------------|
| * Wire holding structure | : Screw type |
| * Wire size (Ferrule) | : 0.2 to 1.5 mm ² |
| * Accessory connector rock method | : Flange |
| * Number of pins | : 18 |

■ Specifications

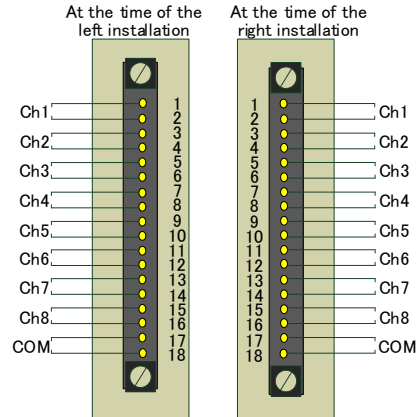
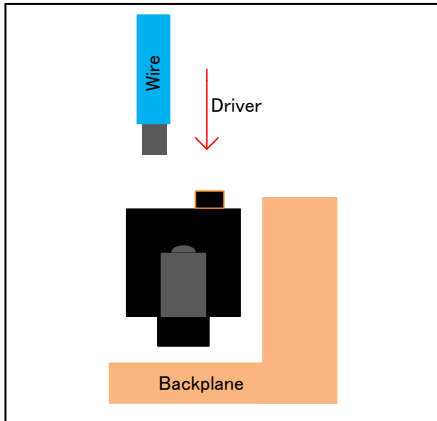
| ITEM | | SPECIFICATION |
|--|---------------------|---|
| Classification | | - |
| Connection Type | | - |
| Attachment position on the IOM Backplane | | Available on both right side and left |
| Tightening torque (to the IOM Backplane) | | 0.2 to 0.25 Nm (Recommendation) |
| Number of pins | | 18 |
| Pitch | | 5.08 mm |
| Wire holding structure | | Screw type |
| Screw size | | M2.5 |
| Tightening torque | | Minimum 0.4 Nm, Maximum 0.5 Nm |
| Power supply (IEC) | | 400 V |
| Rated current (IEC) | | 17.0 A @ 20°C |
| Dielectric strength | | 4 kV (Between neighbor pins) |
| Wire size | | Wire end ferrule with isolation cover 0.2 to 1.5 mm ² (AWG 24 to AWG 16) |
| | | Flexible 0.2 to 1.5 mm ² (AWG 24 to AWG 16) |
| Stripping length | | 13 mm |
| Flamability class UL94 | | V-0 |
| Environmental conditions | Ambient temperature | (Operating) -50 to 100°C (Storage) -40 to 70°C |
| | Ambient humidity | (Operating) Less than 85% RH (No condensation) (Storage) Less than 85% RH (No condensation) |
| Weight | | Less than 0.05 kg |
| Dimensions | | 12.2 mm (D) x 31.8 mm (H) x 101.3 mm (W) (Except projection) |

About compliant module type:

For compliant modules of this product, please refer to "Compliant accessory connector list (CGS-S9902-E-XX)".

LSACT08 Accessory connector

Screw type, 0.2 to 1.5 mm², Screw latch, 18 pins



When using, please read the instruction manual attached to the product carefully and use it properly.

This catalog may not be distributed or reproduced in whole or in part without permission.

Please be aware that due to product improvements and modifications, the product description in this catalog may differ in certain respects from the actual product.

DIASYS Netmation/DIASYS Netmation4S is a registered trademark of Mitsubishi Heavy Industries, Ltd.

The service names and product names of other companies described in this catalog are the trademarks or registered trademarks of each company.