

LSRLTS-CL LVDS Cable

LVDS communication cable

Summary



*LVDS cable : LVDS communication cable

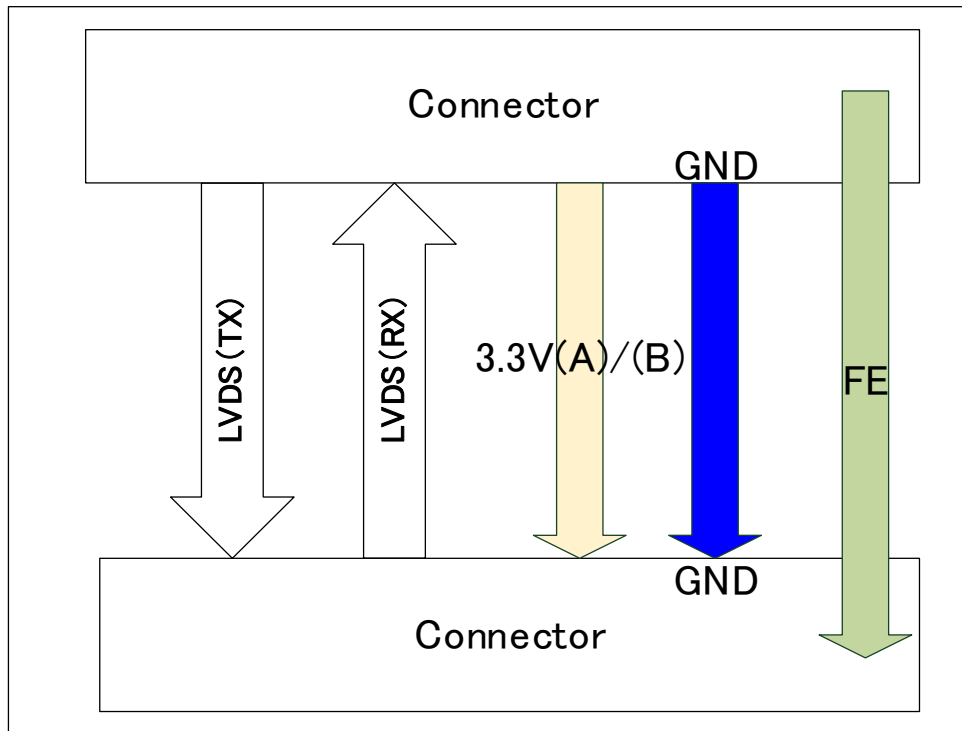
Specifications

ITEM		SPECIFICATION
Applicable modules		LSRLT0A-01, LSRLTS-AI01, LSRLTS-AO01, LSRLTS-AI04, LSRLTS-AI05, LSRLTS-DI01, LSRLTS-DI11, LSRLTS-AI01R, LSRLTS-EOS, LSRLTS-OPC, LSRLTS-DO01, LSRLTS-GTI-D, LSRLTS-GTI-P
Cable length		2 m, 3 m (Please specify when ordering.)
Withstand voltage		AC 200 V
Insulation resistance		More than 100 MΩ (DC 250 V)
Rated voltage		DC 3.3 V
Rated current		0.1 A / 1 Terminal
Connector	External dimensions of the case	26.8 mm (D) x 36 mm (H) x 80.6 mm (W) (Except projection)
	DT11S-100S-10-T	Floating Connector with 0.5 mm Pitch Shell (100 Pin) 8.18 mm (D) x 31.4 mm (H) x 6.2 mm (W)
	Flamability class	UL94 V-0
Signal & communication cable	Conductor cross-sectional area	0.003 mm ² / AWG42
	Number of cores	80
	Finished outer diameter	7 to 7.5 mm
	Sheath	Polyolefin
	Conductor resistance	7.5 Ω/m @20°C
	Bending radius	50 mm
Connector	USLS20-40	0.4 mm pitch micro coaxial cable connector / Stack connection type (40 Pin) 1.58 mm (D) x 21.4 mm (H) x 3.05 mm (W)
	Flamability class	UL94 V-0
	Ambient temperature	(Operating) 0 to 55°C (Storage) -40 to 85°C
Environmental condition	Ambient humidity	(Operating / Storage) 5 to 95% RH (No condensation)
	Vibration	3.5 mm @ 5 Hz to 8.4 Hz 1 G @ 8.4 Hz to 150 Hz
Shock		15 G 11 ms
Weight		0.17 kg (2 m) 0.22 kg (3 m)
Standard/Directive		IEC 61131-2 : 2017, RoHS directive

LSRLTS-CL LVDS Cable

LVDS communication cable

■ Block diagram



LVDS : Low Voltage Differential Signaling
 GND : Ground
 FE : Functional Earth

When using, please read the instruction manual attached to the product carefully and use it properly.

This catalog may not be distributed or reproduced in whole or in part without permission.

Please be aware that due to product improvements and modifications, the product description in this catalog may differ in certain respects from the actual product.

DIASYS Netmation/DIASYS Netmation4S is a registered trademark of Mitsubishi Heavy Industries, Ltd.

The service names and product names of other companies described in this catalog are the trademarks or registered trademarks of each company.